

HANSA Filter drier Triplex® 55bar flare connection 10 mm | 3/8" _2805309050

Product short description:

Filter drier Triplex® 55bar flare connection 10 mm | 3/8"
55 bar
Dimension (LxWxH): xx mm
Weight: 0,859 kg
Part-No.: 2805309050

Made in Germany

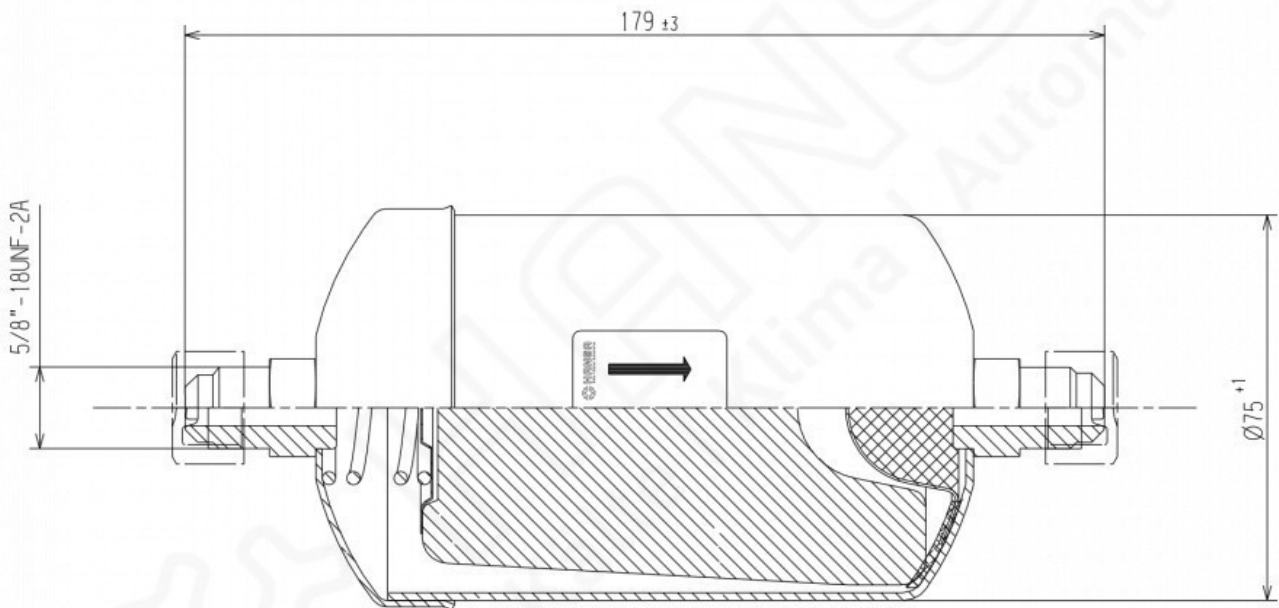
Product codes:

Reference: 2805309050
EAN13: 4251692915295



Product features:

Product attributes:



HANSA 2835309050