

HANSA Filter drier Multiplex O-ring HM083 10 mm | 3/8" _2833610050

Product short description:

Filter drier Multiplex O-ring HM083 HM083
5/8"-18UNF fits tube size 10 mm | 3/8"
60 bar
Dimension (LxWxH): 124x52x52 mm
Weight: 0,31 kg
Part-No.: 2833610050

Made in Germany

Product codes:

Reference: 2833610050
EAN13: 4251692915530



Product description:

Filter drier HANSA Multiplex product range HANSA parts numbers 2 8xx xxx 050 Solid core drier with drier block from molecular sieve plus 5% activate aluminum as acid buffer and brass filter mesh Operation pressure up to 60 bar Operation temperatur range -40°C-+120°C Usage: To dry and filter cooling fluids of group I and II liquids in cooling / climate system circuits (except for NH3 or liquids containing NH3).

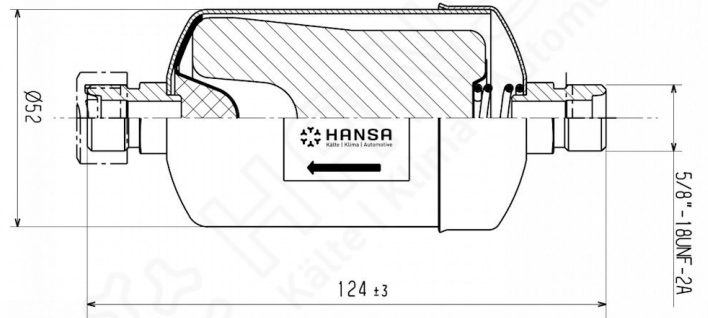
Product features:

Material design: Steel
Connection type: O-Ring
Connection: 5/8"-18UNF
Pressure range: 60 bar

Product attributes:



HANSA 2833610050



HANSA 2833610050

HANSA Filtertrockner / Filter drier



Symbolfoto / Placeholder