

HANSA Filter drier Multiplex solder connection HM164 s 1/2" _2834512050

HANSA Filtertrockner / Filter drier



Symbolfoto / Placeholder

Product short description:

Filter drier Multiplex solder connection HM164 s
1/2"
60 bar
Dimension (LxWxH): xx mm
Weight: 0,51 kg
Part-No.: 2834512050

Made in Germany

Product codes:

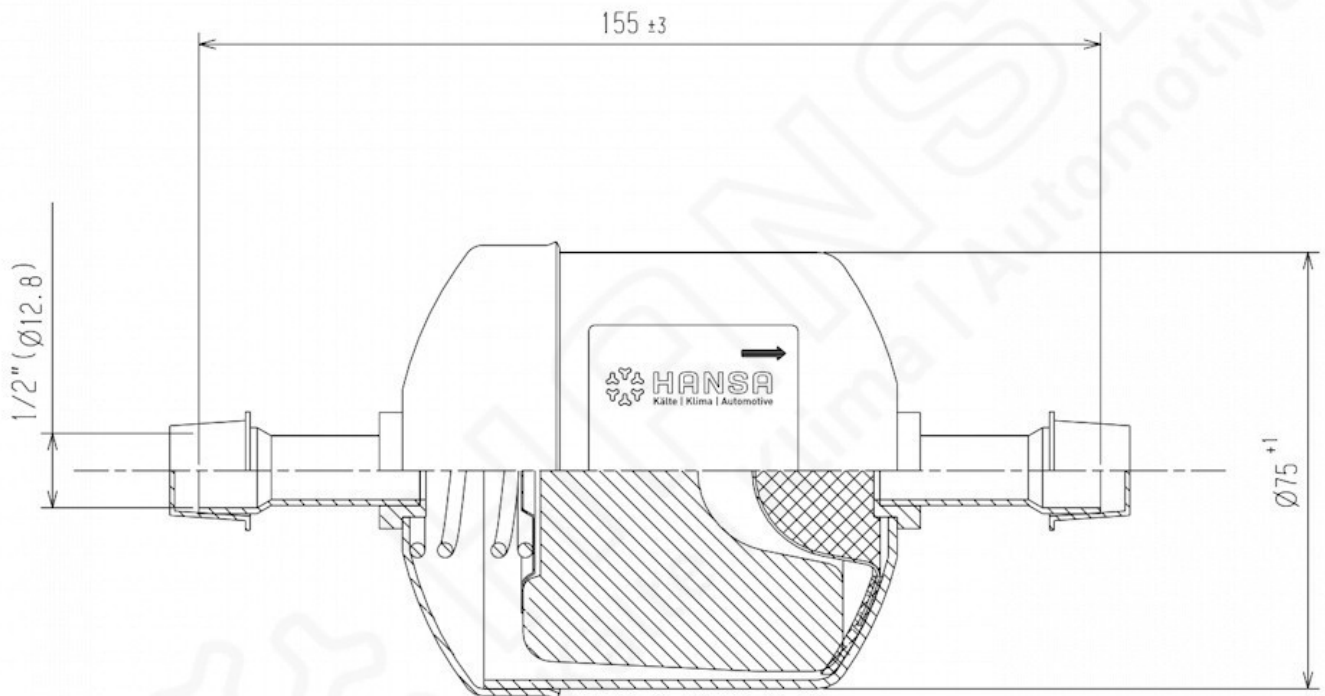
Reference: 2834512050
EAN13: 4251692918517

Product description:

Filter drier HANSA Multiplex product range HANSA parts numbers 2 8xx xxx 050 Solid core drier with drier block from molecular sieve plus 5% activate aluminum as acid buffer and brass filter mesh Operation pressure up to 60 bar Operation temperatur range -40°C-+120°C Usage: To dry and filter cooling fluids of group I and II liquids in cooling / climate system circuits (except for NH₃ or liquids containing NH₃).

Product features:

Product attributes:



HANSA 2834512050