

HANSA Filter drier sight glass combination steel HMK083 sm FI_2837410050

Product short description:

Filter drier sight glass combination steel
HMK083 sm FI
60 bar
Dimension (LxWxH): 188x52x52 mm
Weight: 0,474 kg
Part-No.: 2837410050

Made in Germany

Product codes:

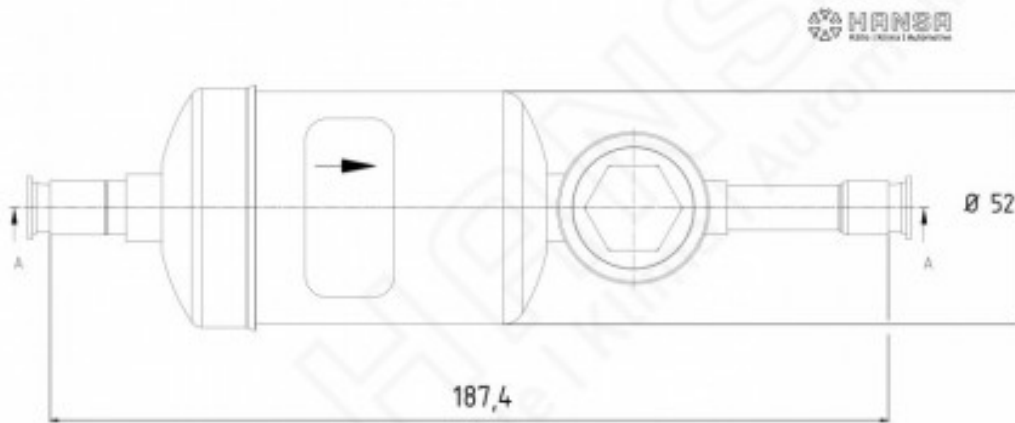
Reference: 2837410050
EAN13: 4251692918715
UPC: -

Product description:

Product attributes:

Product gallery:





HANSA 2837410050