

HANSA Drier cleaning drier 5/8"-18UNF RHM 2120109050



Product short description:

Drier cleaning drier 5/8"18UNF fits tube size 10 mm | 3/8"

Dimension (LxWxH): 135x90x52 mm

Weight: 0,425 kg

Part-No.: 2120109050

Made in Germany

Product codes:

Reference: 2120109050

EAN13: 4251692910085

Product description:

- Quick and easy installation by bending the suction line without a separate intermediate pipe
- Complete chemical and adsorptive binding of impurities, acids and water thanks to various desiccants
- Optimum filtration thanks to coarse filter and thick-walled block insert with very large filter area
- Minimal pressure loss due to very large filter surface area

Technical information

- Cascade cleaning and drying
- Pre-cleaning of coarse particles (larger than 0.1 mm Ø) from the vapour-oil mixture using a fine-mesh wire sieve (mesh size 0.08 mm)
- Chemical binding of acids by aluminium oxide. Adsorption of oil resins and oil sludge by aluminium oxide
- Fine filtering of particles and simultaneous adsorption of water by a compact moulded body made of highly activated molecular sieves and aluminium oxide
- Particularly high moisture absorption
- Maximum operating pressure 55 or 60 bar
- Purification dryers are suitable for all refrigerants (except NH 3 and those containing NH 3)

Product features:

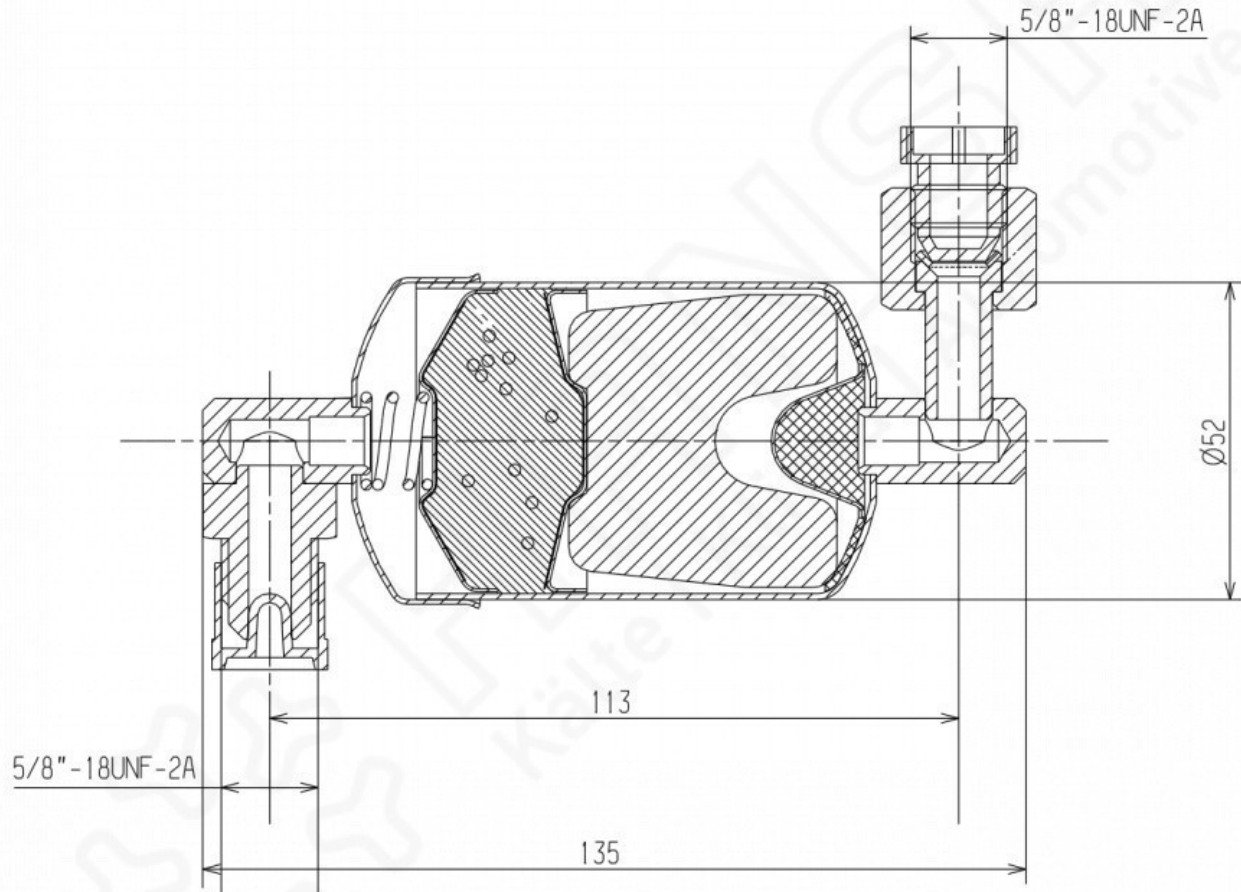
Material design: Steel

Connection type: Flare

Connection: 5/8"-18UNF

Pressure range: 60 bar

Product attributes:



HANSA 2120109050