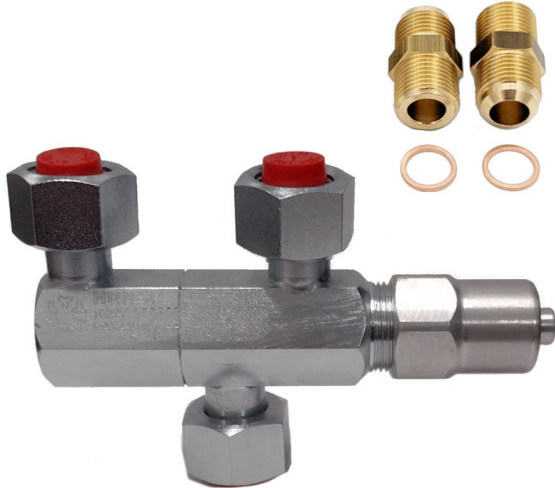


HANSA Changeover valve for KSV/ÜSV 3x G 1/2" union nut_2445011050



Product short description:

Changeover valve for KSV/ÜSV 3x G 1/2" union nut

Dimension (LxWxH): 131,5x30x112 mm

Weight: 0,514 kg

Part-No.: 2445011050

Made in Germany

Product codes:

Reference: 2445011050

EAN13: 4251692920190

Product description:

Design type	3-way changeover valve for safety valve with G 1/2" connection Safety valve connection freely positionable
inlet A	G 1/2"
outlet B	G 1/2"
overall length H	135 mm
Weight pc	0,741 kg / 0,860 kg (130bar) incl. 2x connection fitting
Conformity	Category IV - Modul B+F (2014/68 EU)
Applied standards	DIN EN 378, AD 2000-Information Sheet, VdTÜV-Information Sheet,
and technical spec	DIN EN ISO 4126-1, Guideline 2014/68 EU
Suitable for	Fluids in group 1 (please consult manufacturer) & group 2 respectively safety class A2L. for all common refrigerants like HFC, HFO, CFC

except NH3 refrigerant

Suitable for R290 und R744

2x connection fitting 2700509050

2x copper O-Ring seal 2776854050

Shipped with:

Product features:

Connection: G1/2"

Authorised refrigerants: R416A

Authorised refrigerants: R1233zd(E)

Authorised refrigerants: R427A

Authorised refrigerants: R407H

Authorised refrigerants: R456A

Authorised refrigerants: R417A

Authorised refrigerants: R1234ze(E)

Authorised refrigerants: R427B

Authorised refrigerants: R407I

Authorised refrigerants: R458A

Authorised refrigerants: R417B

Authorised refrigerants: R1336mzz(E)

Authorised refrigerants: R428A

Authorised refrigerants: R407A

Authorised refrigerants: R460A

Authorised refrigerants: R417C

Authorised refrigerants: R1336mzz(Z)

Authorised refrigerants: R434A

Authorised refrigerants: R407B

Authorised refrigerants: R460B

Authorised refrigerants: R460C

Authorised refrigerants: R420A

Authorised refrigerants: R455A

Authorised refrigerants: R134a

Authorised refrigerants: R437A

Authorised refrigerants: R407C

Authorised refrigerants: R461A

Authorised refrigerants: R421A

Authorised refrigerants: R22

Authorised refrigerants: R438A

Authorised refrigerants: R407D

Authorised refrigerants: R463A

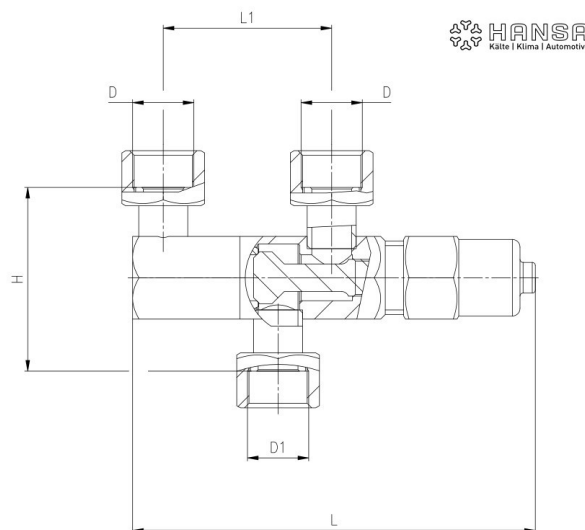
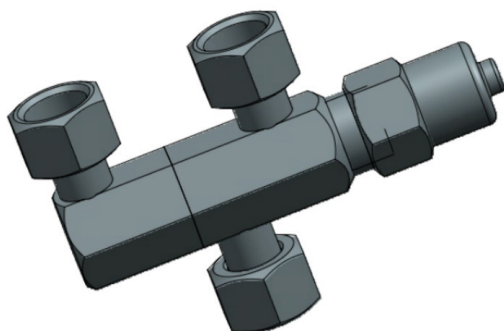
Authorised refrigerants: R421B

Authorised refrigerants: R30

Authorised refrigerants: R442A
Authorised refrigerants: R407E
Authorised refrigerants: R464A
Authorised refrigerants: R422A
Authorised refrigerants: R123
Authorised refrigerants: R448A
Authorised refrigerants: R407F
Authorised refrigerants: R466A
Authorised refrigerants: R422B
Authorised refrigerants: R124
Authorised refrigerants: R449B
Authorised refrigerants: R407G
Authorised refrigerants: R468A
Authorised refrigerants: R422C
Authorised refrigerants: R245fa
Authorised refrigerants: R449C
Authorised refrigerants: R408A
Authorised refrigerants: R409A
Authorised refrigerants: R471A
Authorised refrigerants: R422D
Authorised refrigerants: R401B
Authorised refrigerants: R449A
Authorised refrigerants: R409B
Authorised refrigerants: R513B
Authorised refrigerants: R422E
Authorised refrigerants: R401C
Authorised refrigerants: R450A
Authorised refrigerants: R454C
Authorised refrigerants: R410A
Authorised refrigerants: R513A
Authorised refrigerants: R423A
Authorised refrigerants: R401A
Authorised refrigerants: R452B
Authorised refrigerants: R290
Authorised refrigerants: R410B
Authorised refrigerants: R514A
Authorised refrigerants: R424A
Authorised refrigerants: R402A
Authorised refrigerants: R452C
Authorised refrigerants: R600A
Authorised refrigerants: R414A
Authorised refrigerants: R515A
Authorised refrigerants: R425A

Authorised refrigerants: R402B
 Authorised refrigerants: R452A
 Authorised refrigerants: R414B
 Authorised refrigerants: R744
 Authorised refrigerants: R426A
 Authorised refrigerants: R403A
 Authorised refrigerants: R453A

Product attributes:



Artikel-Nr	L	L1	D	D1	H	P max
2445010050	131,5 mm	55 mm	G 1/2"	1 1/4" 12UNF	69 mm	45 bar
2445011050	131,5 mm	55 mm	G 1/2"	G 1/2"	66 mm	45 bar
2445012050	134,0 mm	55 mm	G 1/2"	G 1/2"	80 mm	130 bar

